

XDIwin-PID

HAZARDOUS AREA GAS DETECTOR

Remote Fixed Gas Detection offering local control and display

Specification Sheet
ref C1507-B V3

- EXPLOSION PROOF
- FLEXIBLE OUTPUT OPTIONS
- NON INTRUSIVE ADJUSTMENT USING MAGNETS
- ADDRESSABLE OR STAND ALONE
- HYPER TERMINAL COMMUNICATIONS / RS232 - LIVE DATA AND SET UP WITH 232 ADAPTER
- BACK LIT ALPHA NUMERIC FULL STATUS DISPLAY
- 3 ALARM POINTS
- 2 ALARM RELAYS PLUS FAULT RELAY OR 3 ALARM RELAYS
- DATA LOGGING



The XDIwin-PID (photoionization detector) is used to measure volatile organic compounds in the low ranges of 0 to 50ppm and 0 to 1000ppm. The unit is fully certified as a flameproof fixed monitor for use in hazardous areas. 4~20mA signaling with CANbus address enables the sensors to be networked via the GDS Combi control system or customer preferred monitoring systems.

Certification

Explosion proof ATEX-IECEX
II 2G Ex db IIC T6...T4 Gb
II 2D Ex tb IIIC T85°C...T135°C Db

Power Supply

18 to 35V DC - 24v DC nominal

Outputs

3 wire analog 4~20mA
4 wire CANbus
Relays Low alarm S.P.C.O
High alarm S.P.C.O
Fault alarm S.P.C.O / overrange
Rating 0.5A @30vDC
Inhibit option during servicing

Logging

Intervals - variable time
Roll over/stop
Storage - 2,880 readings

Display

2 line alpha numeric back lit status display:
gas type, concentration, units, alarm levels, alarm status (low/high/over range), sensor ID, Inhibit

Indicators

Alarm - Red LED
Fault - Amber LED - (Flashing when in inhibit)

Housing Material

Copper free aluminium alloy, optional stainless steel

Finish

Chemical resistant epoxy paint - RAL 9003 Signal White
Optional - Marine grade finish

Ingress Protection

IP64 + water shield IP65
with hydrophobic screen IP66

Cable Entry

2 x M20 - 1.5 pitch - alternatives 25mm - 3/4 NPT

Weight

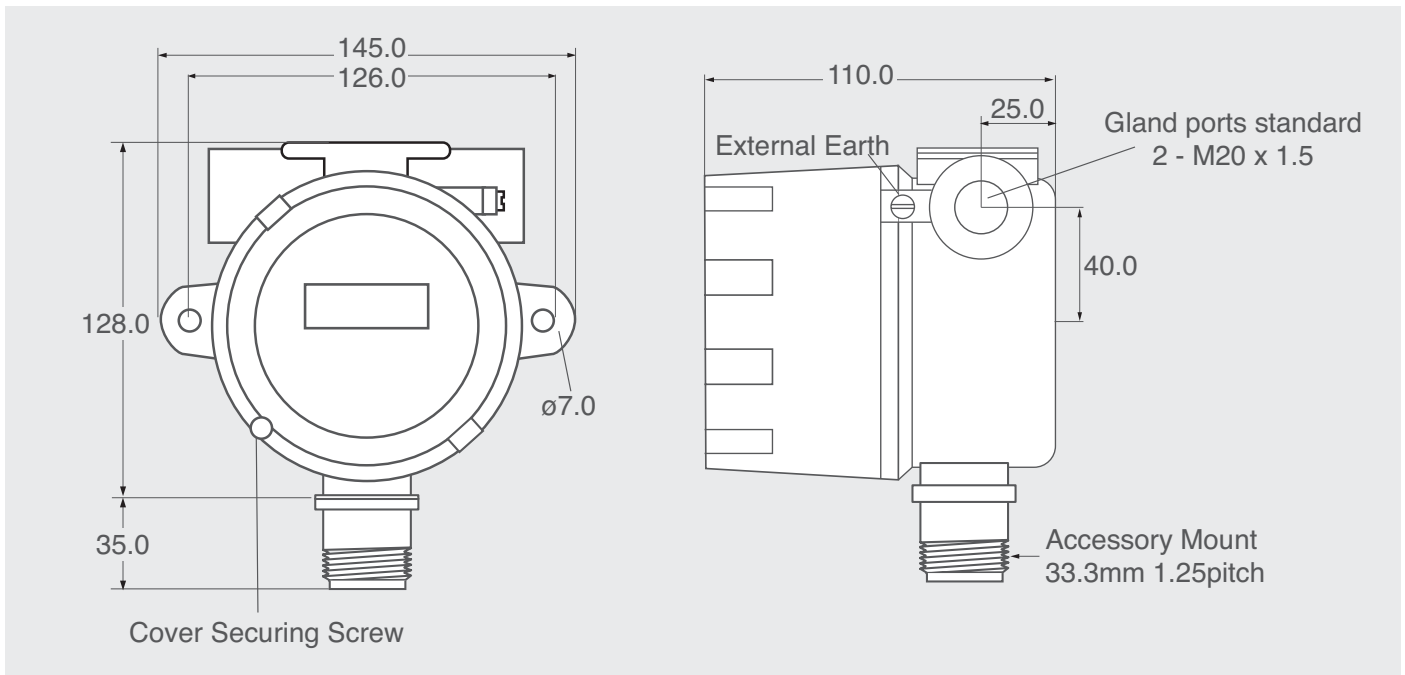
1.6kg

Temperature

-15°C to +55°C - safe area use
For hazardous area use see temperature ranges on C1227 (Ex certification summary)

Humidity

5 to 95% RH non-condensing



Accessories

| | |
|---------|---|
| 003-010 | Collector Cone & Universal Fitting |
| 003-020 | Universal fitting (Test Gas Applicator/ Spray Deflector) |
| 003-035 | Water Shield - stainless steel |
| 008-311 | Flow Block - nylatron |
| 008-310 | Flow Block - stainless steel |
| 003-090 | Duct Mount Kit |
| 003-083 | Detector Head Weather Shield |
| 003-130 | F1 Sensor Thermal Jacket |

Replacement Parts

| | |
|---------|---------------------|
| 010-644 | PID Bulb* |
| 010-645 | PID Electrode Stack |
| 010-646 | PID Spring |
| 010-647 | PID Extraction Tool |

Sensor Type

Photo ionisation - PID

Target Gases

VOC's with ionisation potentials < 10.6 eV

Range

Isobutylene 0-200ppm (0-1000ppm max)
Isobutylene 5ppb to 50ppm options
see gas listing G645

Overrange

Isobutylene 5000ppm

Response Time T90

< 15 seconds

Operating Life

Expected 5 years (excluding replaceable lamp and
electronic stack - *6 months continuous operation)

