

15/30J – PID

GAS SENSOR

Safe Area Detector Head / Junction Box Assembly

Specification Sheet
ref C1506-B v.5

- Flexible output options
- Addressable or stand alone
- Hyperterminal communications rs232 line data and set up with 232 adapter
- Data logging
- Optional alarm relays
- Backlit alpha numeric full status display (optional)
- Robust and weatherproof



The 15J/30J PID (photoionization detector) is used to detect a broad range of volatile organic compounds in the low ranges of 0 to 50ppm and 0 to 1000ppm. The unit provides standard 4~20mA and CANbus digital outputs.

The 15J/30J PID enclosure has been designed to allow quick and easy access to its interior by adjustment of two allen screws, this factor is a major consideration when large system service and calibrations are being carried out.

The detector is robust and weather-proof with improved response times due to the four mounting spacers allowing increased air movement around the detector these spacers also improve the mounting of the unit particularly on circular pillars typically found in car parks.

Power Supply

15 to 30vDC 24v nominal

Outputs

3 wire – analog 4~20mA

4 wire – CANbus

Relays (optional)

Low alarm S.P.C.O 0.5A @30vDC

High alarm S.P.C.O

Fault alarm S.P.C.O / overrange

Display (optional)

2 line alpha numeric backlit status display – gas type, concentration units, alarm levels, alarm status – low/high/overrange/sensor ID

Sounder/Relay (optional)

Single relay – low/high alarm selectable

S.P.C.O 0.5A @30vDC

Sounder – not less than 85dB @ 30 cm

Logging

Intervals – variable time

Roll over/stop

Storage – 2,880 readings

Temperature

-15 °C to 55 °C

Humidity

0 °C to 99% RH – non condensing

DETECTOR HEAD

Type – P1 Safe area use only

Ingress Protection

IP64

Material

ABS - Black

Sensor Type

Photo ionisation – PID

Target Gases

VOC's with ionisation potentials <10.6 eV
See gas listing G645

Range

Isobutylene 0-200ppm (0-1000ppm max)
Isobutylene 5ppb to 50ppm options

Overrange

Isobutylene 5000ppm

Response Time T90

<12 seconds

Operating Life

Expected 5 years (excluding replaceable lamp and electronic stack - * 12 months continuous operation)

Replacement Parts

- 010-644 PID Bulb*
- 010-645 PID Electrode Stack
- 010-646 PID Spring
- 010-647 PID Extraction Tool

JUNCTION BOX

Type - 15J/30J Safe area use only

Ingress Protection

IP65

Material

ABS Flame retardant FR40
Lid Screws M4SS

Finish

Signal White RAL 9003

Weight

380gms

Entries

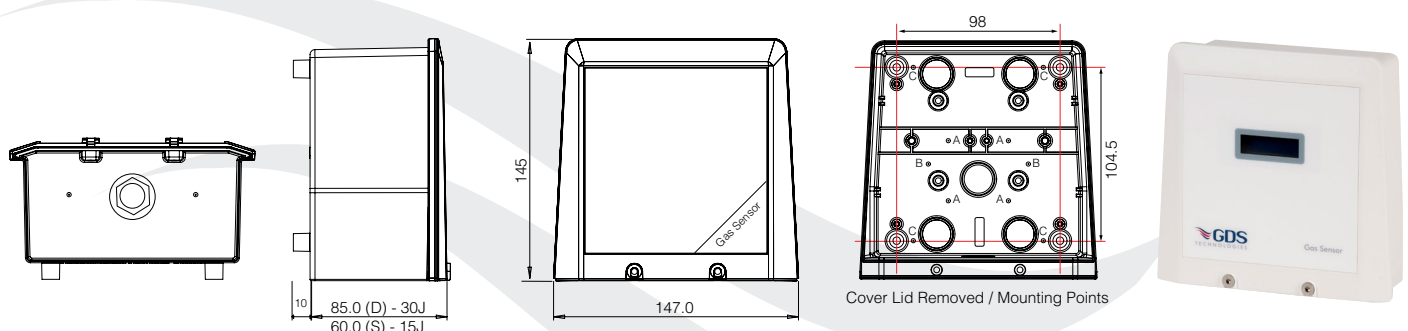
Rear 5-20mm knock outs
Sides, Top, Bottom - not specified

Mounting

Standoffs – M4 or No 8 screws
Drill at (C) when standoffs removed
Conduit box – drill at (A) 4.5mm
Surface mount box – drill at (B) 4.5mm

EU Design No.

01359723-0001



This document is not contractual and the equipment specification may be modified at any time without prior notice.

E: sales@gds-technologies.co.uk T: +44 (0)113 286 0166

GDS TECHNOLOGIES LTD | FUSION POINT | ASH LANE | GARFORTH | LEEDS | LS25 2GA | UK

