

# GDS 703 POWER SUPPLY – 11 A

300 D1C

Specification Sheet  
Ref C1541Av.4



## POWER SUPPLY

### Output

27Vdc Nominal (26~31.5Vdc adjustable)

**Rated Current** 0~11.7A (316W)

### Protection

Short circuit, overload, over voltage, over temperature  
(shutdown+automatic recovery)

**Ripple and Noise** (max.) 200mVp-p

**Mains Input** 88~230Vac @ 5A

**Frequency Range** 47~63Hz

**Operating Temperature** -20°C to +65°C

**Humidity** 20~90% RH non-condensing

## ENCLOSURE

**Dimensions** W314 x H264 x D116mm

**Material** Mild steel 1.2mm

**Finish** Powder coat – texture

**Colour** BS00A01 Ash Grey

**Mounting** 264x237mm Footprint with 4 M5 Holes

**Cable Entry** 20mm knock-out entry top/bottom/rear

**Weight** 4.9Kg

**IP Rating** IP52

## STANDARDS

**Safety** UL60950-1 / EN60950-1

### EMC

#### Conduction & Radiation

EN55022(CISPR22) Class B

#### Immunity

EN61000-4-2,3,4,5,6,8,11

ENV50204, EN55024 Light Industrial Criteria A

#### Harmonic Current

EN61000-3-2,3

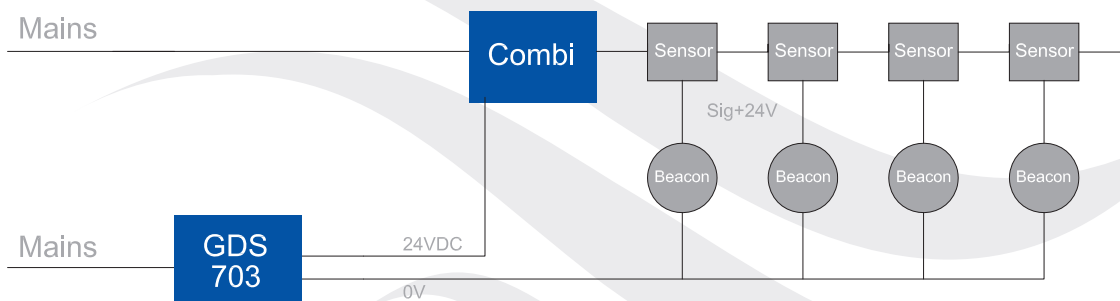
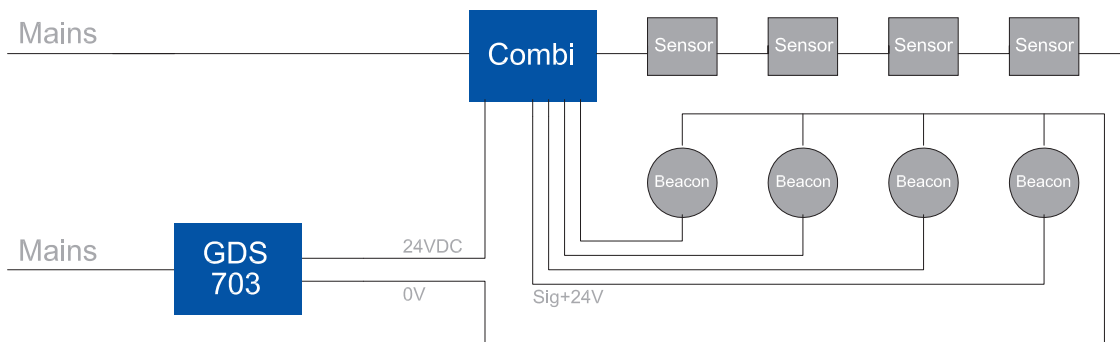
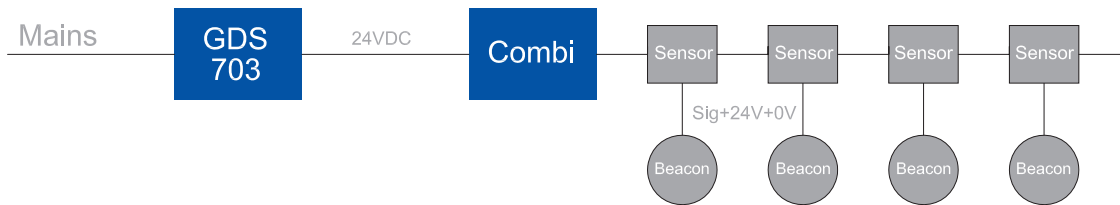
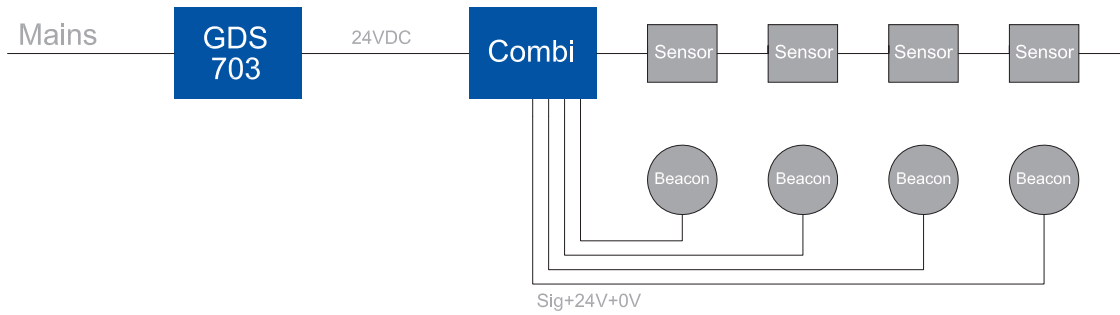
### MTBF

207Khrs min MIL-HDBK-217F(25°C)

# GDS 703 POWER SUPPLY – 11 A

300 D1C

Specification Sheet  
Ref C1541Av.4



This document is not contractual and the equipment specification may be modified at any time without prior notice.

