

GDS 703 POWER SUPPLY – 18 A

300 D2C

Specification Sheet
Ref C1779Av.1



POWER SUPPLY

Output

27Vdc Nominal (26~31.5Vdc adjustable)

Rated Current 0~18A (486W)

Protection

Short circuit, overload, over voltage, over temperature
(shutdown+automatic recovery)

Ripple and Noise (max.) 200mVp-p

Mains Input 88-230Vac @ 5A

Frequency Range 47~63Hz

Operating Temperature -20°C to +65°C

Humidity 20~90% RH non-condensing

ENCLOSURE

Dimensions W314 x H264 x D116mm

Material Mild steel 1.2mm

Finish Powder coat - texture

Colour BS00A01 Ash Grey

Mounting 264x237mm Footprint with 4 M5 Holes

Cable Entry 20mm knock-out entry top/bottom/rear

Weight 4.9Kg

IP Rating IP52

STANDARDS

Safety UL60950-1 / EN60950-1

EMC

Conduction & Radiation

EN55022(CISPR22) Class B

Immunity

EN61000-4-2,3,4,5,6,8,11

ENV50204, EN55024 Light Industrial Criteria A

Harmonic Current

EN61000-3-2,3

MTBF

207Khrs min MIL-HDBK-217F(25°C)

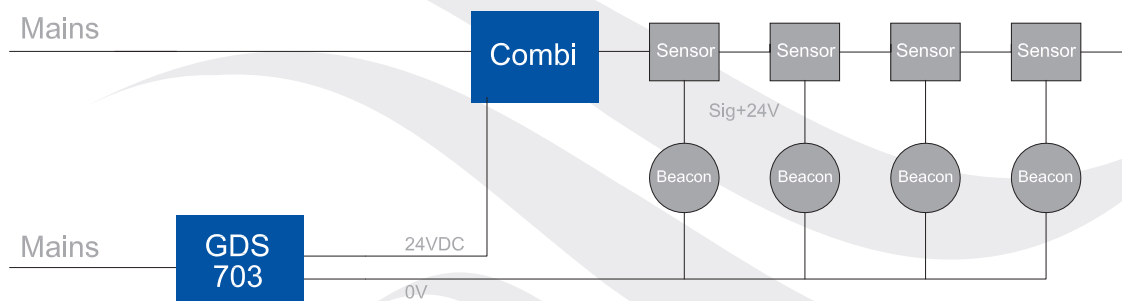
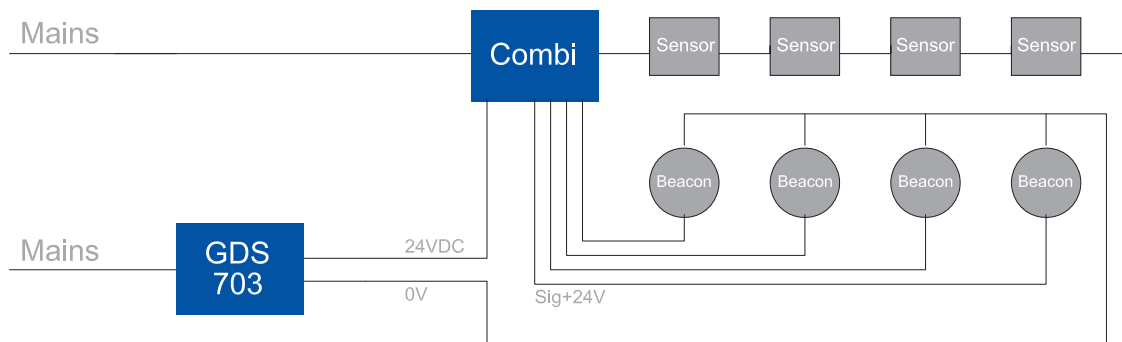
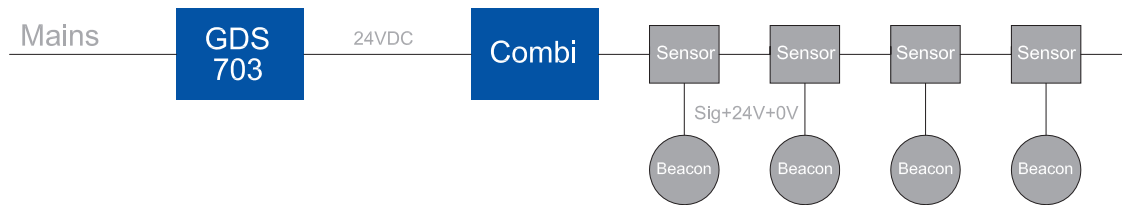
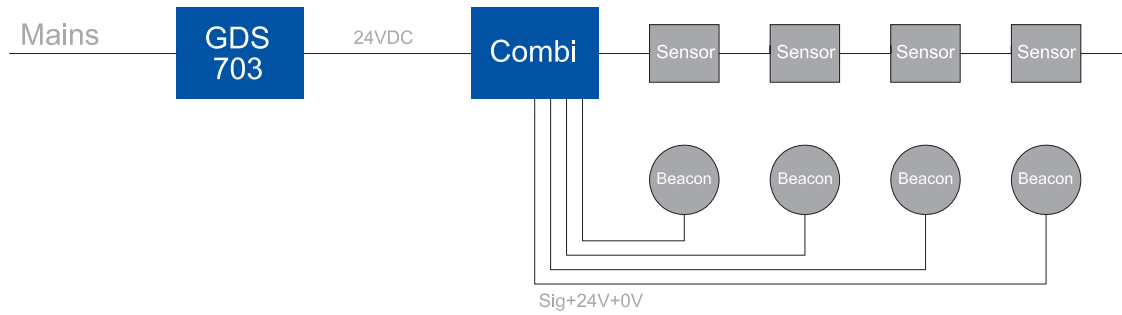
This document is not contractual and the equipment specification may be modified at any time without prior notice.



GDS 703 POWER SUPPLY – 18 A

300 D2C

Specification Sheet
Ref C1779Av.1



This document is not contractual and the equipment specification may be modified at any time without prior notice.

