

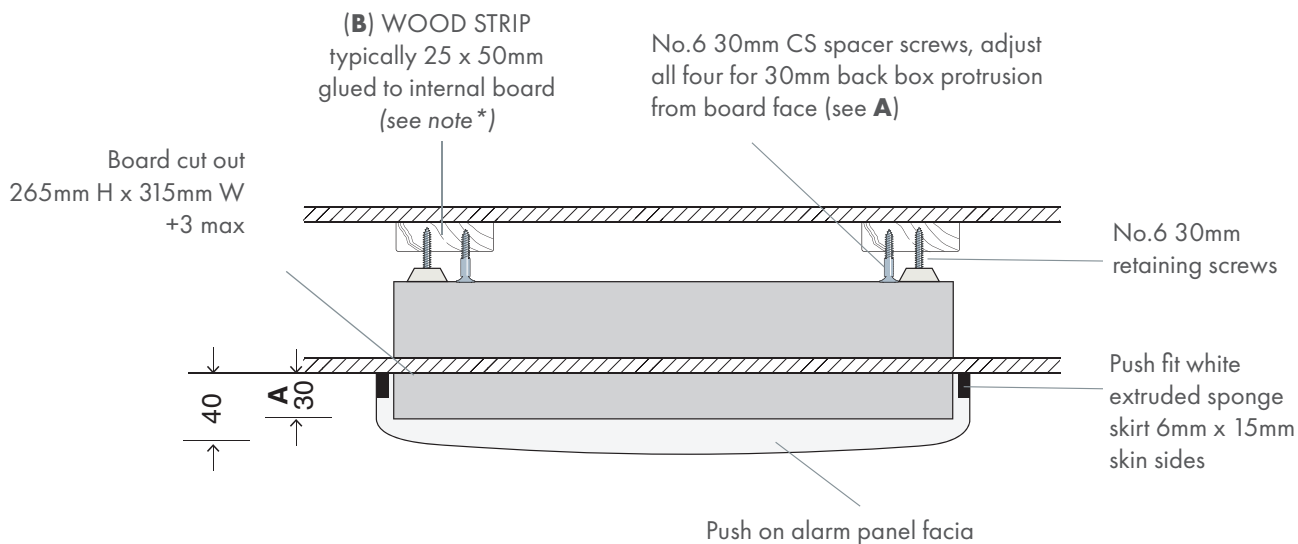
# SUGGESTED FLUSH MOUNTING

## COMBI SERIES /404 ALARM PANELS

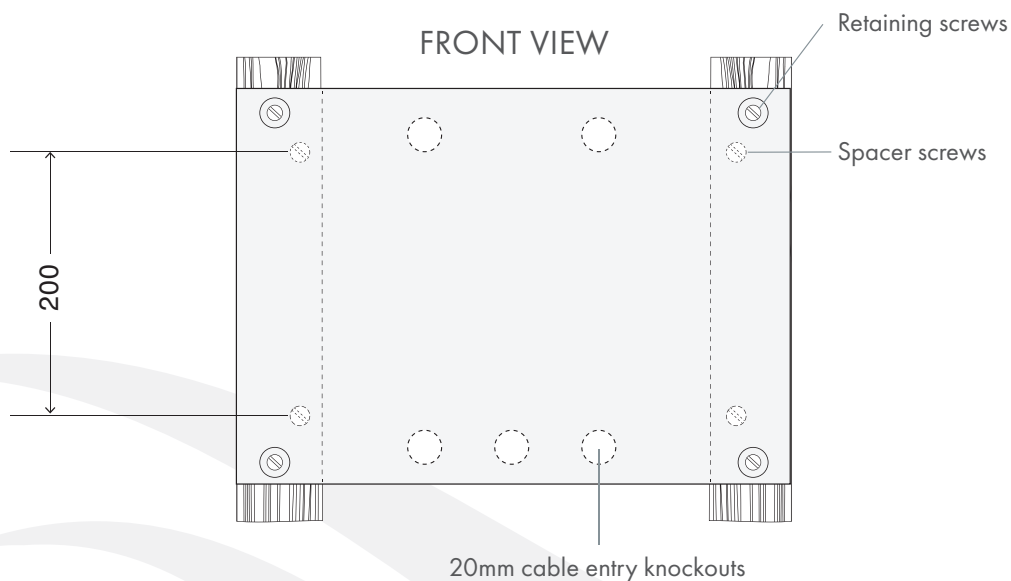
100mm DRYWALL

Technical Sheet  
ref C1839B

### TOP VIEW



### FRONT VIEW



#### Kit Part No. 300-001

- 1 – Skirt
- 8 – C/S screws

\*When flush mounting a Combi slim repeater unit, the two wood strips (B) should be sized accordingly

This document is not contractual and the equipment specification may be modified at any time without prior notice.

