

XDIwin-F1+

HAZARDOUS AREA GAS DETECTOR

Remote Fixed Gas Detection offering local control and display

Data Sheet ref C759Ev1
213D1C

- UKEX / ATEX / IECEx explosion proof
- Robust and weatherproof
- 3 alarm points (see relay option)
- Addressable or stand alone
- CANbus, 4~20mA outputs
- Wide range of gas types/sensors
- Adjustments – non intrusive magnet/manual/hyperterminal/ digital–push button
- Backlit alphanumeric full status display
- Data logging
- Options: 3 selectable alarm relays
- Cable entry 25mm, ¼ NPT
- Wide range of accessories



The XDIwin-F1+ Gas Sensor is capable of utilising a wide range of sensor cell types offering an unmatched number of gases that may be monitored. Standard 4~20mA signaling with CANbus address enables the sensors to be networked via the GDS Combi control system or customer preferred monitoring systems. Adjustments to menu settings and readings may be made by a single magnet without the removal of the enclosure lid, alternatively push button adjustment is accessible by removing the lid.

Certification

Explosion Proof UKEX (C1971) ATEX (C1969) IECEx (C1970)
II 2GD
Ex db IIC T6...T4 Gb
Ex tb IIIC T85°C...T135°C Db
Ta = -20°C ≤ Ta ≤ +35°C... +75°C (XDIwin +F1, F1+ and F1+S)
Ta = -20°C ≤ Ta ≤ +35°C... +85°C (XDI +F1, F1+ and F1+S)

Power Supply

18 to 30VDC 24v nominal
Power consumption – 4W full alarm

Outputs

3 wire – 4~20mA sink/source (Direct)
4 wire – CANbus (Addressable)

Logging

Intervals – variable time
Roll over/stop
Storage – 2,880 readings

Relays (optional) 1, 2, 3

Individual alarm relay selection
Low, High, Overrange, Fault

Default setting:

- 1 – Low alarm
- 2 – High alarm
- 3 – Fault alarm

Rating 3A (non inductive)
@30VDC S.P.C.O

Inhibit option during servicing
Delay to activate 0~255s
Relay off delay 0~255s

Display

2 line alphanumeric backlit status display: gas type, concentration units, alarm levels, alarm status, low/high/over range/fault), sensor ID, inhibit

Indicators

Alarm – Red LED
Fault – Amber LED (flashing when in inhibit)

Housing Material

Copper free aluminium alloy, optional stainless steel

Finish

Chemical resistant epoxy paint RAL 9003 – Signal White
Marine grade finish
F1 sensor material – Stainless Steel 316

Ingress Protection

IP64 + water shield IP65
with hydrophobic screen IP66

Cable Entry

2 x M20 – 1.5 pitch – alternatives 25mm – ¼ NPT

Weight

1.6kg

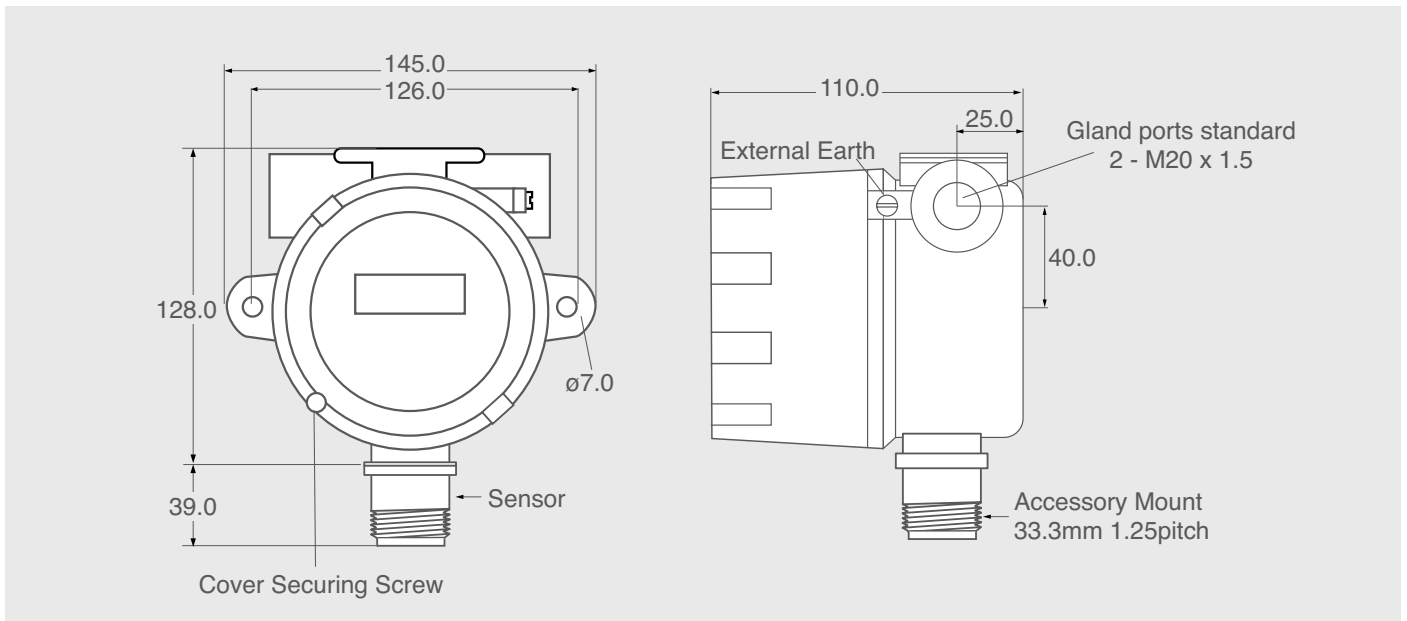
Temperature

-15°C to +55°C

For hazardous area use see temperature ranges (certification)

Humidity

5 to 95% RH non-condensing



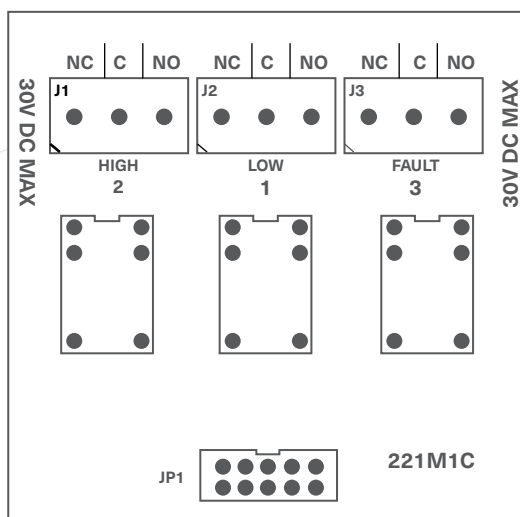
Sensor Inserts - 4 series

Infrared, Electrochemical, Catalytic,
Semiconductor, PID

Measuring Range

Flammable gases – LEL / % vol
Toxic gases – ppm/ppb
Oxygen % vol, depletion/enrichment

Three Relay PCB - Option



Transmitter Technical Data

Documents:
Flammable – C1883
Toxic/Oxygen – C1882

Accessories See F1+ data sheet C1901

- 003-010 Collector Cone & Universal Fitting (1)
- 003-020 Universal fitting (Test Gas Applicator/
Spray Deflector) (2)
- 008-311 Flow Block – nylatron (3)
- 008-310 Flow Block – stainless steel (3)
- 003-035 Water Shield – stainless steel (4)
- 003-090 Duct Mount Kit
- 003-083 Detector Head Weather Shield
- 003-130 Thermal Jacket

