

# XDIwin-F6

## HAZARDOUS AREA GAS DETECTOR

Remote Fixed Gas Detection offering local control and display

Specification Sheet  
ref C958Cv.2

- ATEX explosion proof
- Rugged and reliable
- 3 alarm points
- CANbus / 4~20mA outputs
- Non intrusive adjustment magnets
- Back lit alpha numeric full status display
- Addressable or stand alone
- One man calibration
- 2 alarm relays plus fault relay
- Data logging



XDIwin-F6 + Sensor  
Universal Fitting

The XDIwin-F6 Gas Sensor is capable of detecting a wide range of flammable gases. Standard 4~20mA signaling with CANbus address enables the sensors to be networked via the GDS Combi control system or customer preferred monitoring systems.

### Certification

- Explosion Proof ATEX
- II 2GD
- Ex db IIC T6...T4 Gb
- Ex tb IIIC T85°C...T135°C Db

### Power Supply

- 15 to 30vDC 24v nominal

### Outputs

- 3 wire 4~20mA / 4 wire CANbus
- Relays
  - Low alarm S.P.C.O
  - High alarm S.P.C.O
  - Fault alarm S.P.C.O
  - Rating 0.5A @30vDC
  - Inhibit option during servicing

### Logging

- Intervals – variable time
- Roll over/stop
- Storage – 2,880 readings

### Display

- 2 line alpha numeric back lit status display: gas type, concentrating units, alarm levels, alarm status, low/high/over range), sensor ID, inhibit

### Lid/Base

Thread type with lock screw – 2mm

### Housing Material

Copper free aluminium alloy, optional stainless steel

### Finish

Chemical resistant epoxy paint – RAL 9003 Signal White  
Optional – Marine grade finish

### Ingress Protection

IP63  
+universal fitting IP64  
+hydrophobic filter IP65

### Cable Entry

2 x M20 – 1.5 pitch – alternatives 25mm – ¼ NPT

### Weight

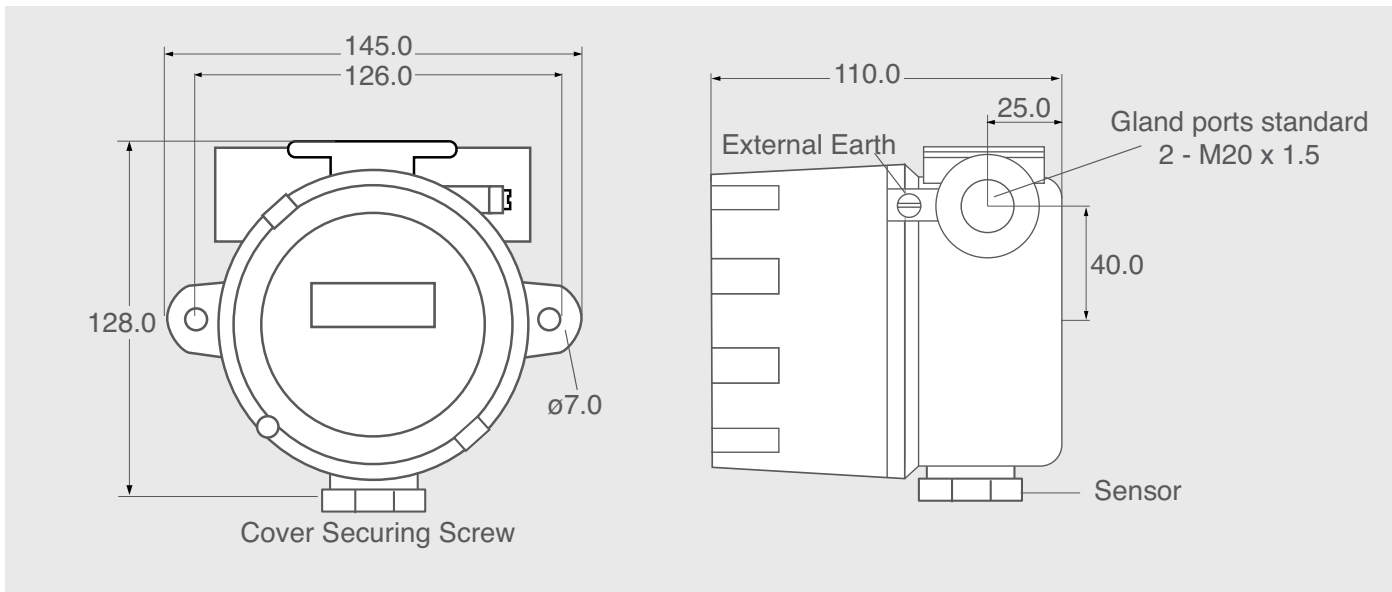
1.6kg

### Temperature

–15 °C to +55 °C – safe area use  
For hazardous area use see temperature ranges on C1010

### Humidity

0 to 99% RH non-condensing



### Gas Type / Range

Flammable gases – LEL

### TRANSMITTER TECHNICAL DATA

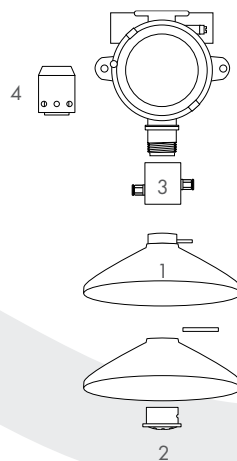
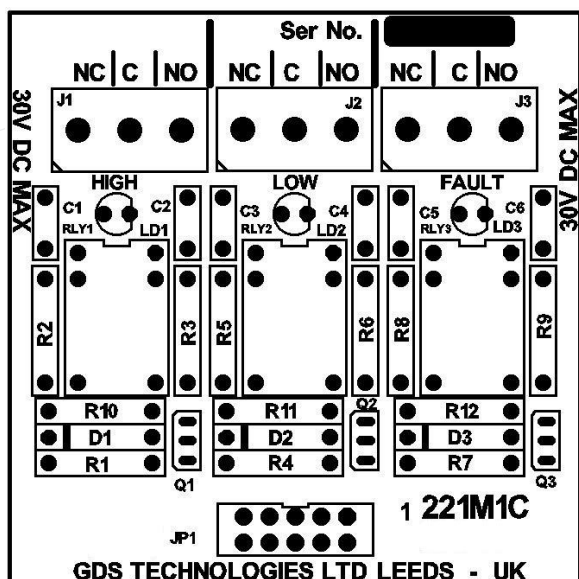
#### Documents

C1883

### Accessories

- 003-062 Collector Cone & Universal Fitting
- 003-064 Universal fitting (Test Gas Applicator/ Spray Deflector)
- 003-066 Flow Block – nylatron
- 003-090 Duct Mount Kit
- 003-083 Detector Head Weather Shield

### Three Relay PCB Detail



This document is not contractual and the equipment specification may be modified at any time without prior notice.

